

AQUA SPINE

Hydrodemolition robot accessories

Grow a backbone



AQUAJET



AQUA SPINE

Aqua Cutter 410/710

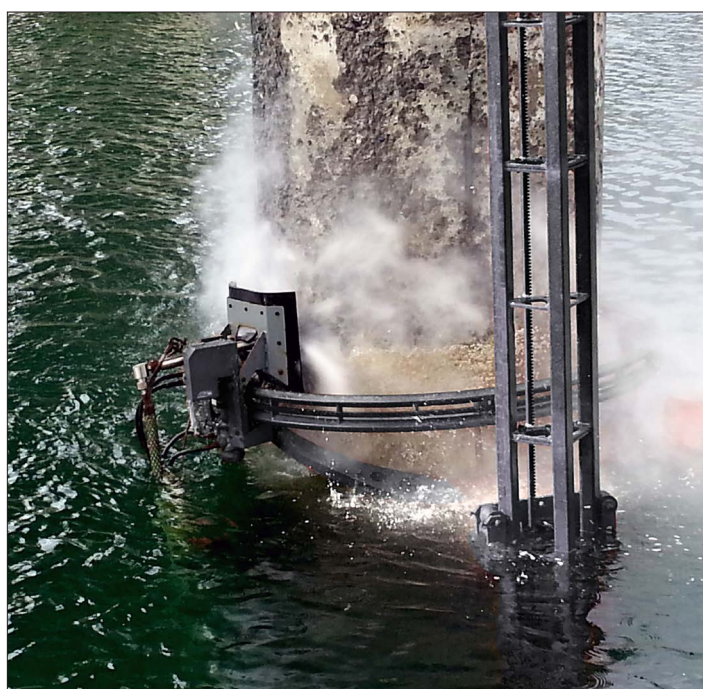
Multi-modular support rail

The Aqua Spine is an innovative multi-modular system for all surfaces that may be inaccessible for Aqua Cutter robots. It's used extensively on shore and offshore constructions as well as hydro- and nuclear power plants. In other words, the power of the Aqua Spine can turn seemingly impossible tasks into new possibilities.

The system can be positioned directly on concrete by anchor bolts or supported by carriers such as hydraulic platforms, cranes and scaffoldings. It can be tailored, assembled and modified for specific tasks according to your own specifications. All power and control functions are provided by a standard Power Control Module (PCM) or by any of our Aqua Cutter robots.

Grow a backbone

The Aqua Spine has two different rail systems: Dual or triple. Both are interchangeable within the system. You can use the dual in confined areas or when you have several accessible attachment points to fix the rail. The triple rail is used for longer free span, up to 6 meters between the supports, horizontally or free standing.

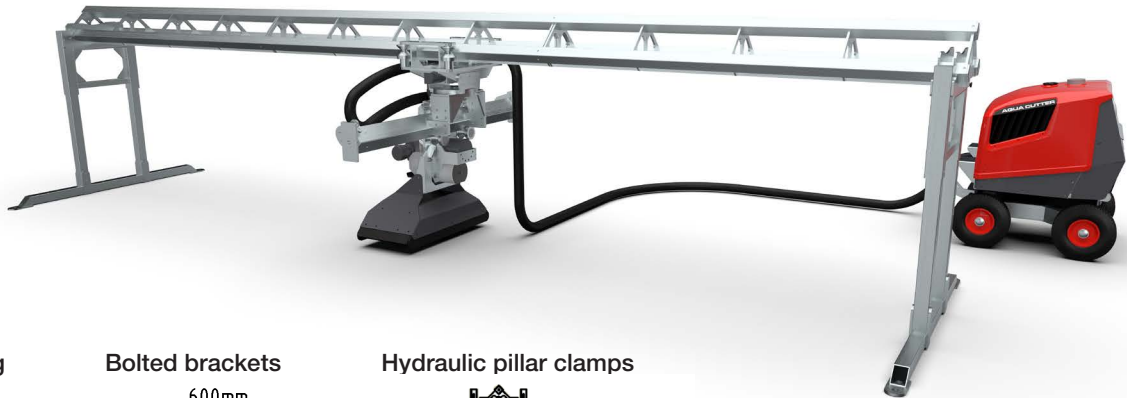




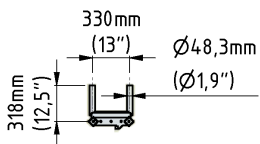
Facts

Approx. length	1,0-6,0 m (3,3-19,7 ft)
Approx. width	1,0-3,0 m (3,3-9,8 ft)
Cutting length	1,0-6,0 m (3,3-19,7 ft)
Control source	AQUA CUTTER robot or PCM

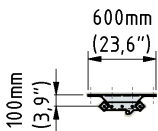
Other sizes and configurations are available upon request.



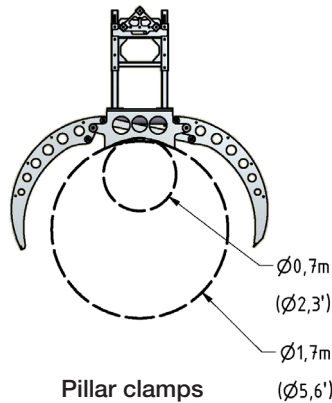
Scaffolding



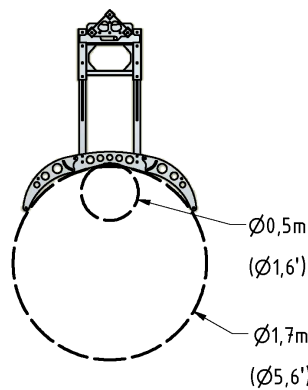
Bolted brackets



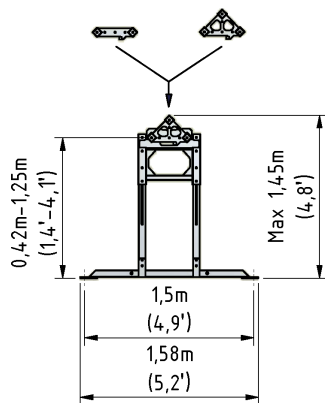
Hydraulic pillar clamps



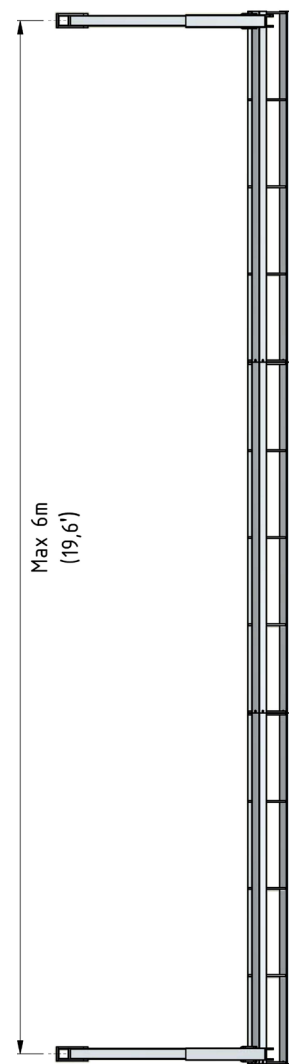
Pillar clamps



Support legs



Triple Spine



Dual Spine

