

EXTENSION KIT

Hydrodemolition robot accessories

Extend your reach



AQUAJET



EXTENSION KIT

Aqua Cutter 410/710

Articulated extension for greater reach

This is a great way to extend your reach in vertical and under/up operations. By mounting the extension kit, the Aqua Cutter hydrodemolition robot can work from the deck to side or under a bridge without dismounting of the bridge railing. That's both smart and useful!

By mounting the Extension kit on the Aqua Cutter robot, the robot can be standing on a deck working at both sides or under a bridge without any need to remove the bridge railing. The Extension kit is very easy to attach to the robot and there's no need for special tools or any changes in the construction.

Extend your reach

Our standard Extension kits, for the Aqua Cutter 710 and Aqua Spine, come in two versions:

Extension kit 2 x 1 m (2 x 3,3 ft) and Extension kit 2 x 1 m (2 x 3,3 ft) with elbow. The kits consist of extension beams, articulated joints, splash covers, and extensions for hydraulics and electronics.

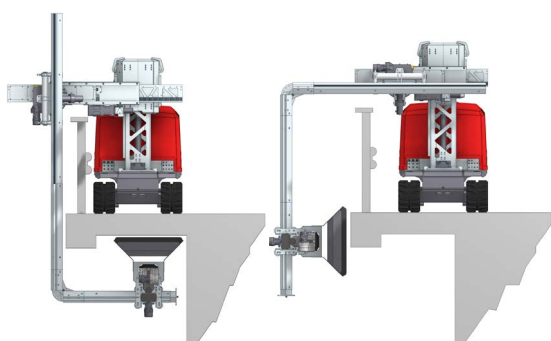
For the smaller 410 sibling we have developed the Extension kit LT, to extend reach in vertical and under/up operations. The kit consists of an extension beam, an articulated joint and a splash cover.



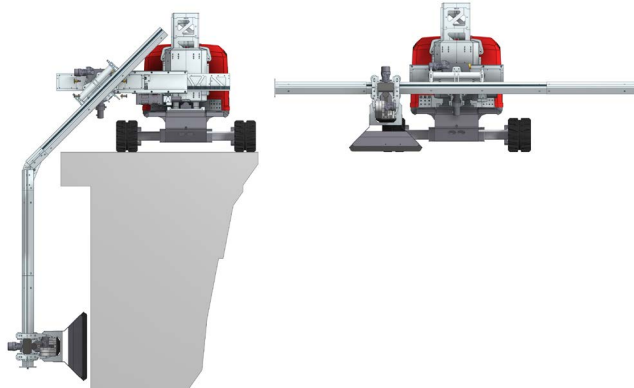


Facts

	Beam extension kit	Beam extension kit LT
Extensions	250 / 500 / 750 / 1000 / 1500 mm (0,82 / 1,64 / 2,46 / 3,28 / 4,92 ft)	250 / 500 / 750 / 1000 / 1500 mm (0,82 / 1,64 / 2,46 / 3,28 / 4,92 ft)
Max. extension	2000 mm (6,56 ft)	1500 mm (4,92 ft)
Bend angle	0° / 22,5° / 45° / 67,5° / 90° / 112,5°	0°, 22,5°, 45°, 67,5°, 90°, 112,5°



Extension kit
Aqua Cutter 710



Extension kit LT
Aqua Cutter 410

