

HYBRID KIT

Hydrodemolition robot accessories

Broaden your horizon



AQUAJET



HYBRID KIT

Aqua Cutter 710/750

Diesel-to-electric robot conversion kit

When a diesel engine cannot be used due to noise and pollution regulations, the Hybrid kit is essential. You just attach it to your diesel powered Aqua Cutter hydro-demolition robot and the Hybrid kit takes over automatically, much like a hybrid car. Sustainable and smart!

The Hybrid kit is a powerful ally where a diesel engine is not allowed or appropriate, such as parking garages and inside buildings or other confined spaces. It's very easy to attach and uses an intelligent system to automatically disengage the on-board diesel engine.

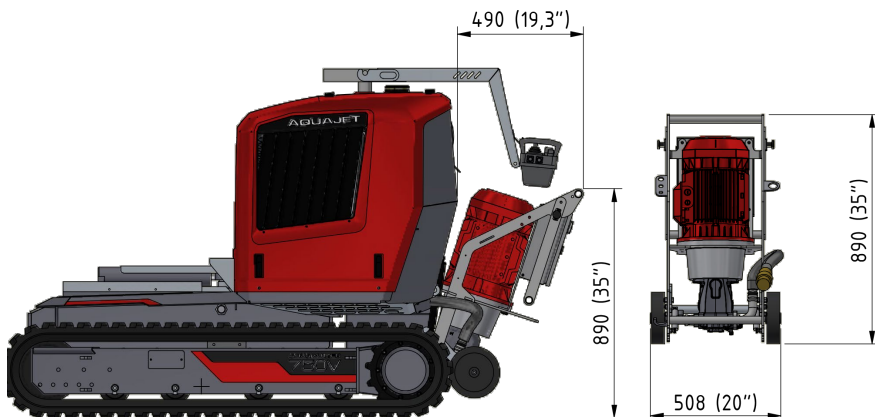
Easy installation

No tools are needed to install the Hybrid kit to the 710 and 750 robots. Just snap it onto the back of the robot, connect the umbilical hoses, and you're ready to go. For your convenience the Hybrid kit has a built-in charger that powers the battery while the robot is working.

Combined power

The robot can be operated either with electric power or with the built-in diesel engine when the Hybrid kit is connected. This makes it very versatile, as well as environmentally and user friendly.

The Hybrid kit is also a great solution in situations where steep angles prevent diesel engines from operating properly.



Facts

Weight	115 kg (254 lbs)
Drive source	Electric motor 3 phase 7,5 kW 400/480 VAC @ 50Hz/60Hz 16A
Alt. drive source	Other on request