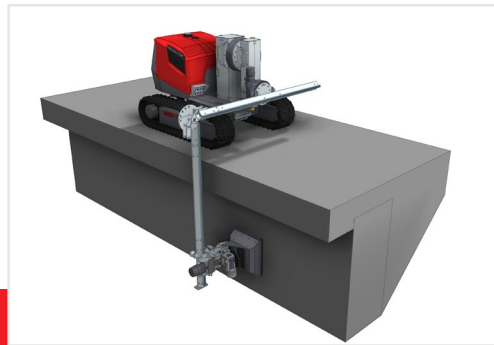


REACH OUT AND PERFORM MIRACLES

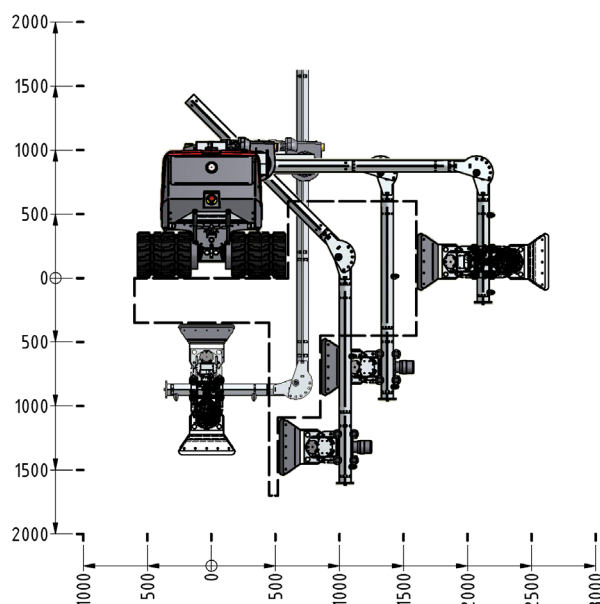


GET STARTED RIGHT AWAY

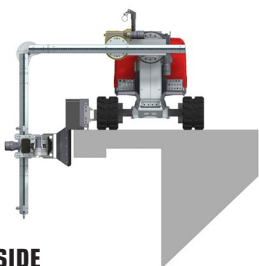
This is a great way to extend your reach in vertical and under/up operations. By mounting the Extension kit LT, the cutter robot can work from the deck to side or under a bridge without dismantling of the bridge railing. That's both smart and useful!

The Extension kit LT is very easy to attach on the cutter robot and there's no need for special tools or any changes in the construction.

The kit consists of an extension beam, an articulated joint and a splash cover. Extension kit LT (light) is compatible with all AQUA CUTTER 410 robots.



FEATURES AND BENEFITS



// OUTSIDE

Work from the deck and reach over the bridge rail for extended operation on the outside of the surface.



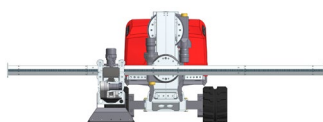
// UNDER

Work from the deck and reach over the bridge rail for extended operation under the surface.



// EXTENDED OUTSIDE

Allows for extended vertical operation as well as outside a Parapet beam.



// EXTENDED

Extended up to 3 meter working width.

// TECHNICAL DATA

Extensions — 250, 500, 750, 1000, 1500 mm
Max. extension — 1500 mm
Bend angle — 0°, 22,5°, 45°, 67,5°, 90°, 112,5°

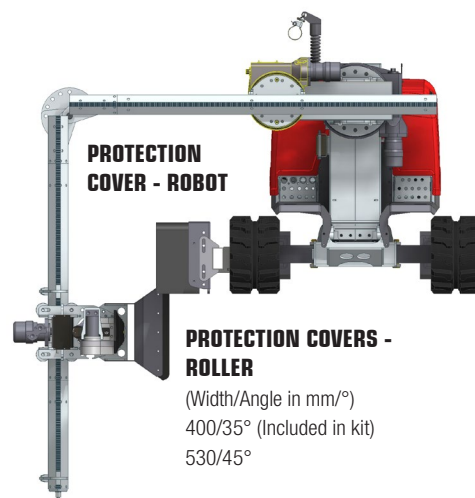
// COMPATIBLE PRODUCTS

AQUA CUTTER 410A

// EXAMPLES OF APPLICATIONS

Bridges
Berth/piers
Hydropower plants
Waste water plants

// SUPPLEMENTS



aquajet.se

Call us: + 46 383 508 01
E-mail us: aquajet@aquajet.se
Visit us: Brunnsvägen 15, SE-570 15 Holsbybrunn, SWEDEN

AQUAJET
SYSTEMS AB